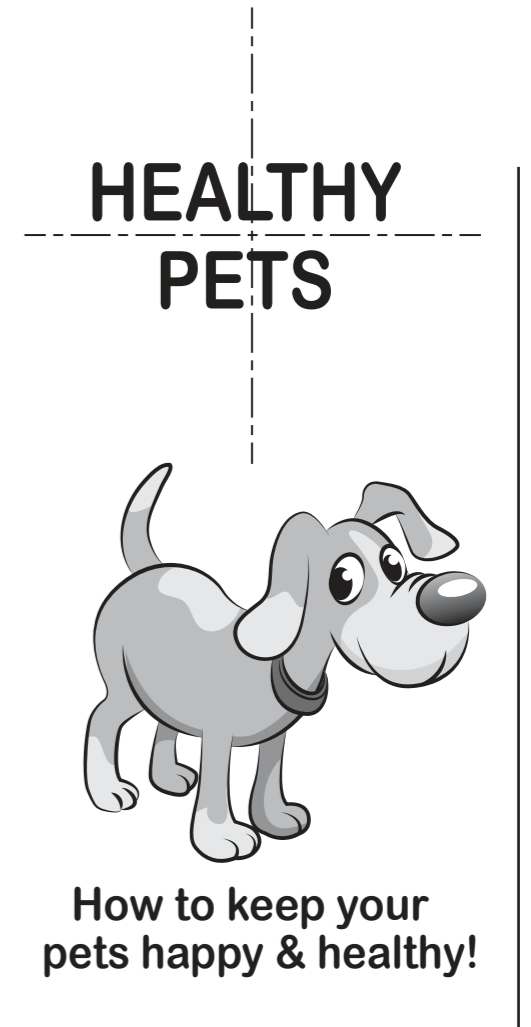
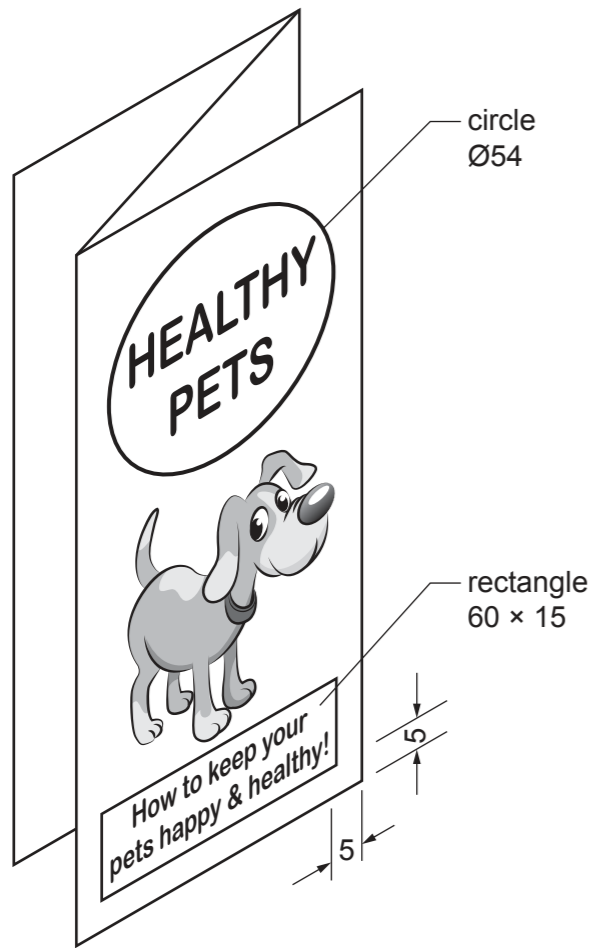


Section A

Answer **all** questions in this section.

A1 A leaflet about pet care is shown below.

The leaflet is made from a piece of thin card, 210 mm × 140 mm, folded into three equal parts (pages).



Complete the development (net) of the leaflet in the space provided to the right by drawing:

- (a) the three missing pages [5]
- (b) the circle on the front page [2]
- (c) the rectangle on the front page. [2]

A2 The leaflet is to be produced on a computer. The image on the front of the leaflet is to be replaced with an image of a cat.

- (a) Explain how a suitable image could be sourced and added to the leaflet.

.....

.....

..... [2]

(b) The leaflet is to be printed in quantities of 10 000. State **one** suitable method of printing the leaflets.

..... [1]

(c) The leaflets will be printed onto A4 size card (297 mm × 210 mm) before being cut to size. State the number of leaflets that can be printed on one piece of A4 size card.

..... [1]

For
Examiner's
use

0445/51 May/June 2022 **1 hour**
© UCLES 2022 DC (RW/SG) 303969/3

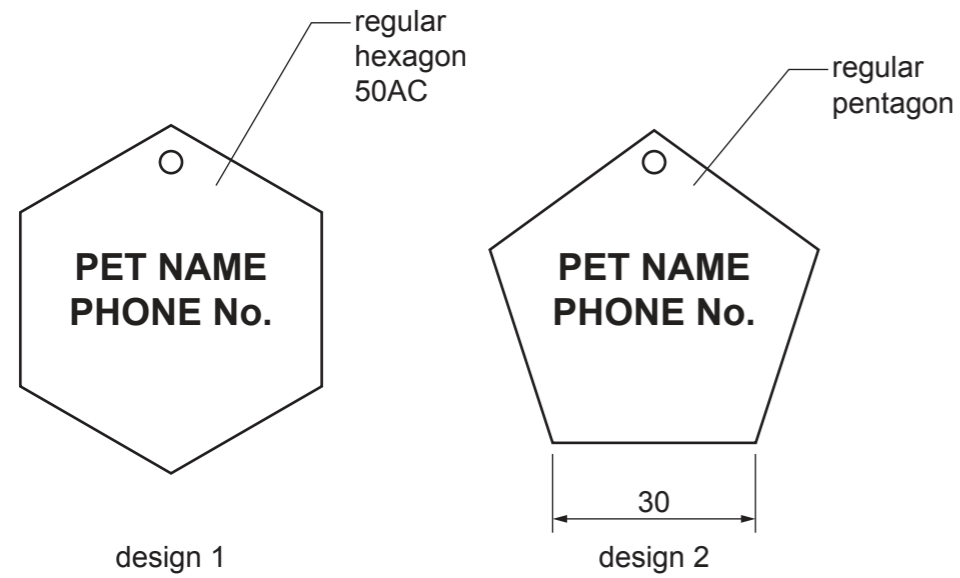
Centre Number

Candidate Number

Candidate Name

[Turn over

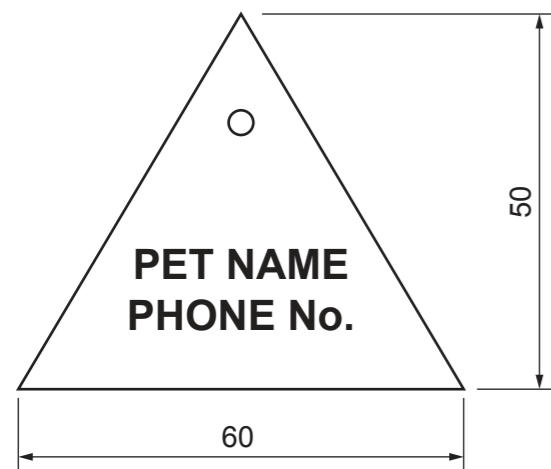
A3 Two different designs for pet identity tags are shown below.



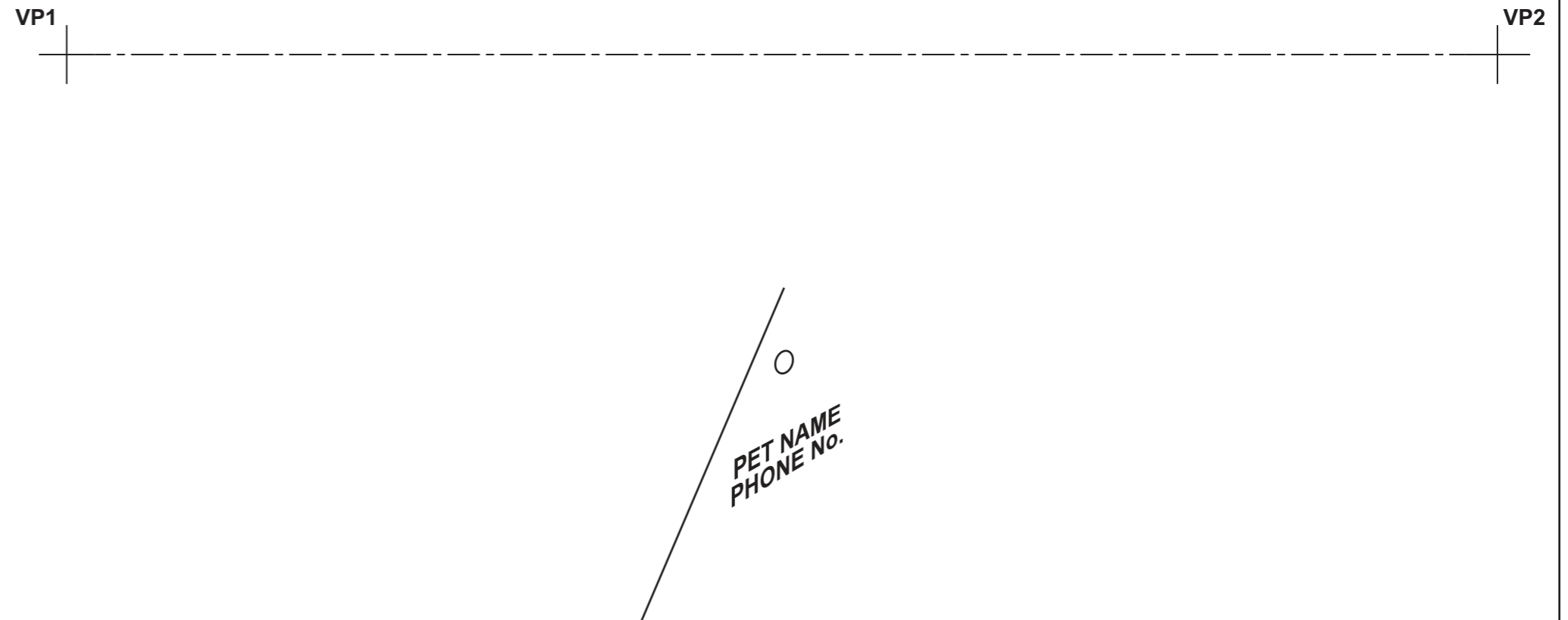
(a) Complete the drawings of each identity tag design to a scale of 2:1 by adding:

- (i) the hexagonal outline to design 1 [3]
- (ii) the pentagonal outline to design 2. [4]

(b) A triangular pet identity tag is shown below. The pet identity tag is made from 6 mm acrylic sheet.



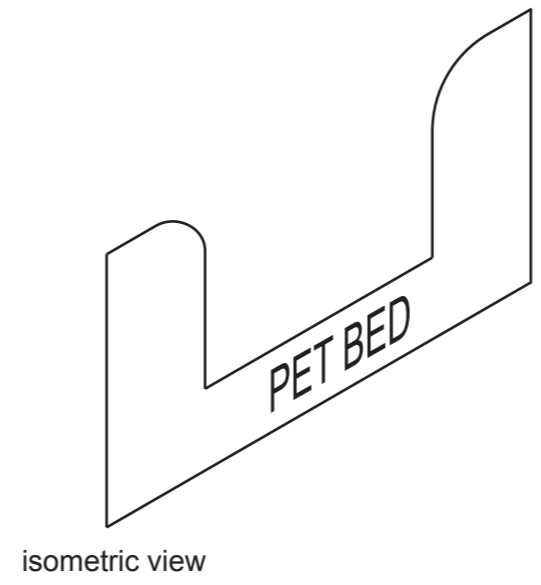
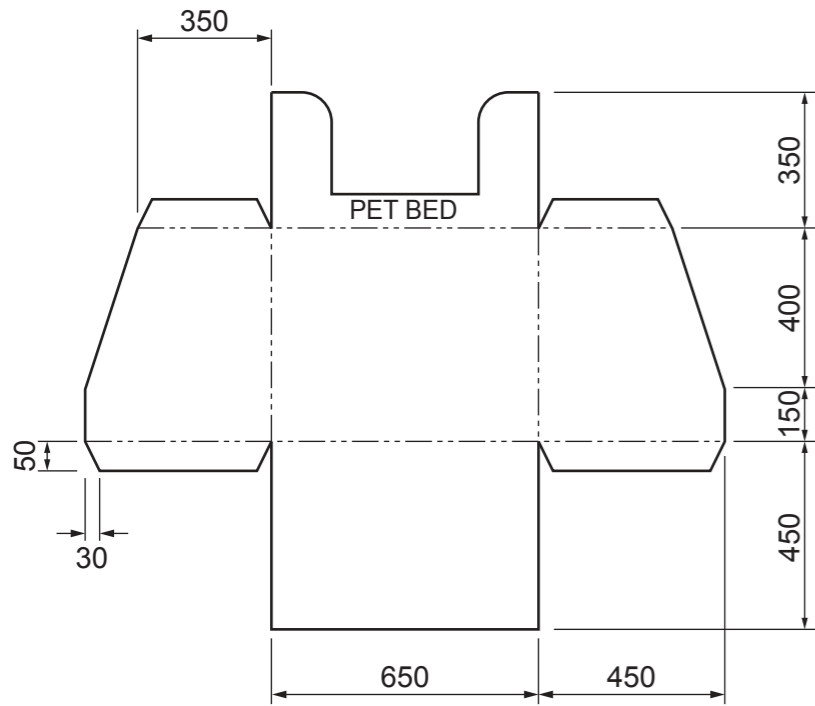
Complete the full size two-point perspective view of the triangular pet identity tag. [5]



Section B

Answer one question, either question B4 or B5, from this section.

B4 A development (net) of a pet bed is shown below.
The pet bed is made from corrugated cardboard.



(a) Complete the isometric view of the assembled pet bed to a scale of 1:10.

Ignore material thickness.

[12]

(b) The development (net) of the pet bed is made from corrugated cardboard and fixed together using adhesive.

(i) Describe **one** property of corrugated cardboard that makes it a suitable material for the pet bed.

.....
..... [2]

(ii) State **one** suitable type of adhesive for fixing the development (net) together.

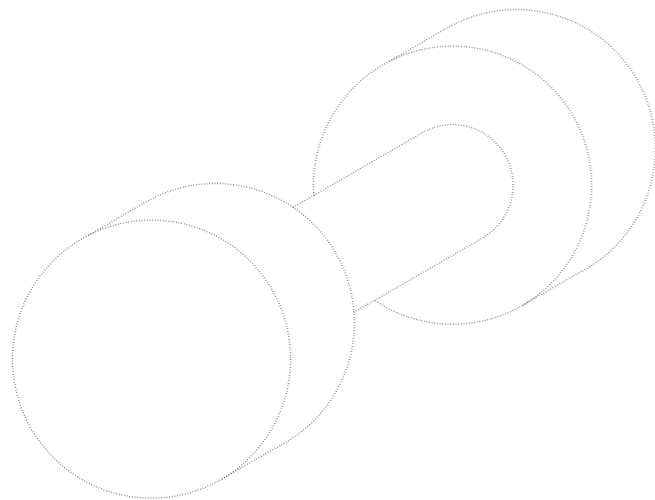
..... [1]

(iii) In the space below, use sketches and notes to show a modification to the development (net) that will allow it to be assembled without the use of adhesive. [4]

(c) A pet toy, made from rubber, is shown below.

Apply thick and thin line technique to the pet toy.

[3]



(d) The table shows the results of a survey about the types of pets people own.

Draw a bar chart to show the results of the survey.

[3]

Pet	Number
Dog	17
Cat	23
Fish	12
Rabbit	5

0445/51 May/June 2022 **1 hour**
© UCLES 2022 DC (RW/SG) 303969/3

Centre Number

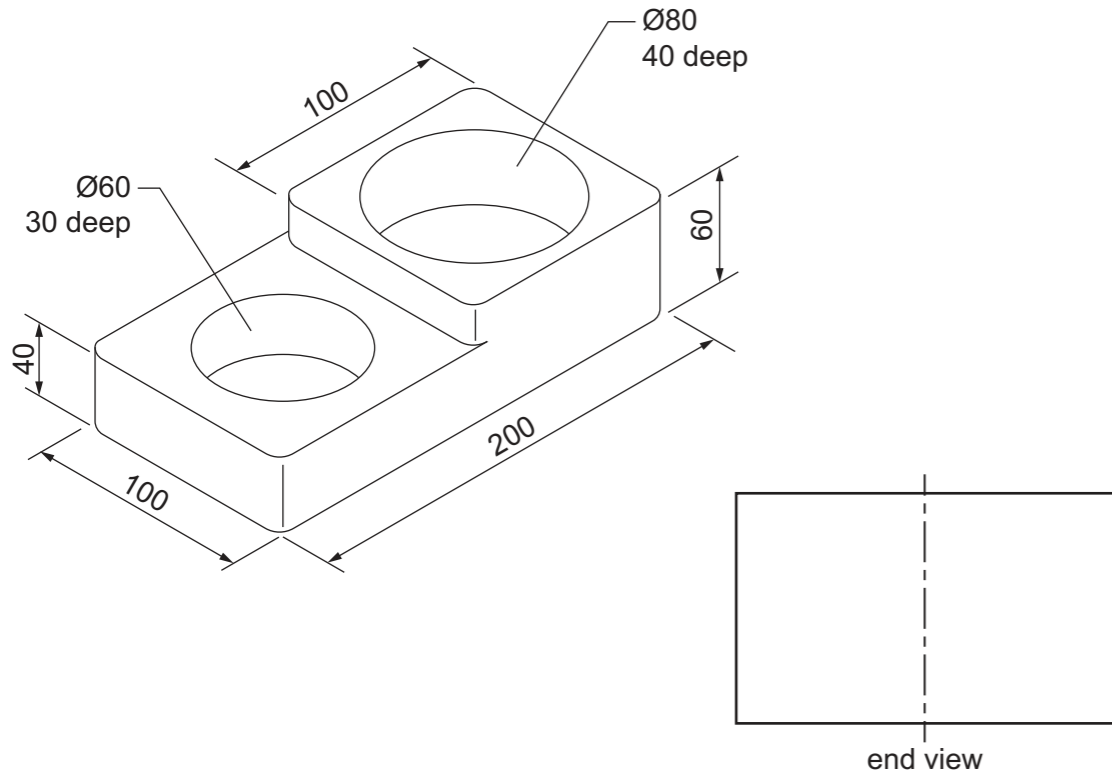
Candidate Number

Candidate Name

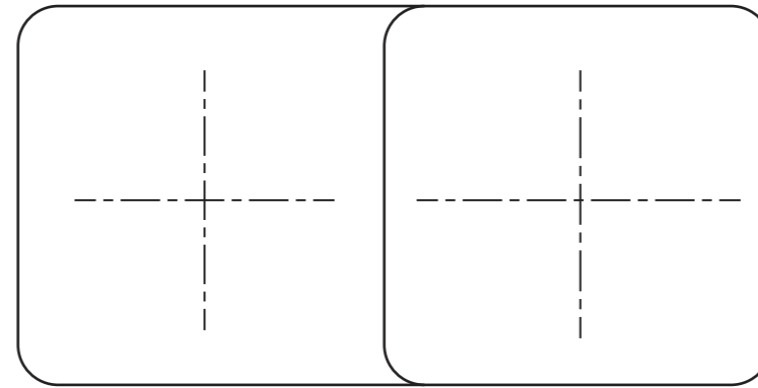
[Turn over]

For Examiner's use

B5 A pet food bowl made from thin plastic is shown below.



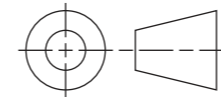
(a) Complete the orthographic views of the pet food bowl to a scale of 1:2. Show all hidden detail. [12]



plan



front view



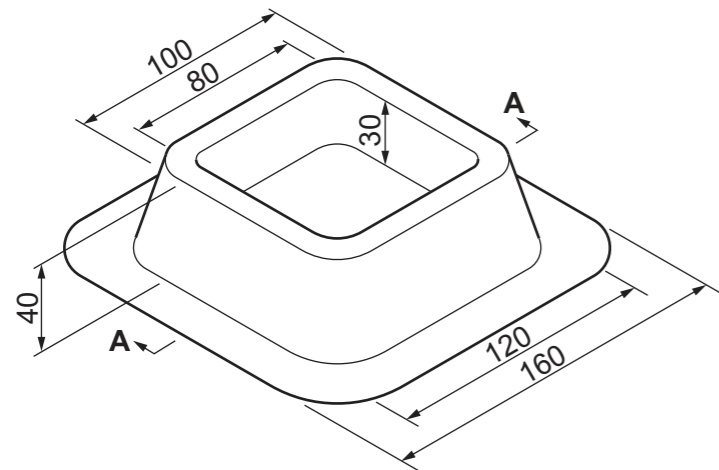
(b) A tin of pet food is shown below.



Complete the drawing of the tin of pet food below by adding the top ellipse and bottom half ellipse. Major axis 90 mm. Minor axis 30 mm. The two sides of the tin are given. [7]



(c) Another pet food bowl is shown below. The pet food bowl is made from thin plastic.



(i) State **one** method of making the pet food bowl from thin sheet plastic. [1]

..... [1]

(ii) State **one** type of thin sheet plastic that could be used to make the pet food bowl. [1]

..... [1]

(iii) In the space below complete the full size sectional view **A-A** of the pet food bowl. [4]



sectional view **A-A**